

TL2272-97 3⁸ Decoder with Direct Setting Doorbell

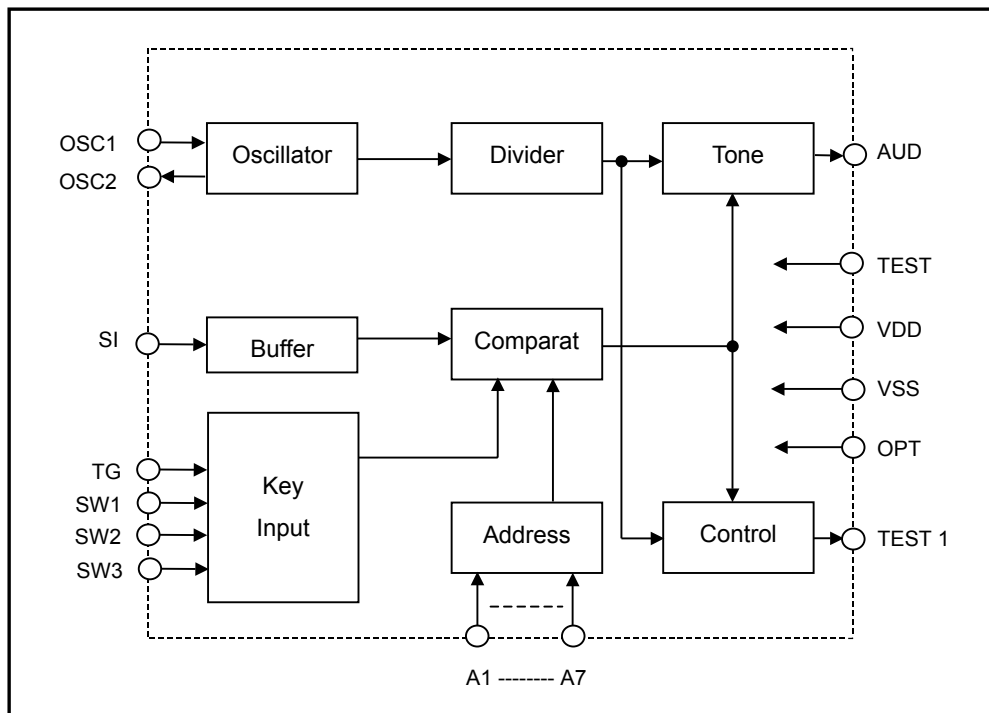
GENERAL DESCRIPTION

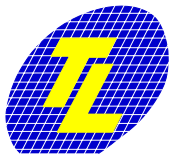
The main application area for the TL2272-97 device is for remote control doorbells working together with TL2262. Containing all the functions of the TL2272 decoder and melody generator, the device eliminates the need for customers to incorporate an external op-amp and melody generator IC within their product applications, in the process significantly reducing overall product costs. In addition to being fully compatible with the TL2272 circuitry, the device includes the following features; Internal 2 channel tone generator and current type audio output.

FEATURES

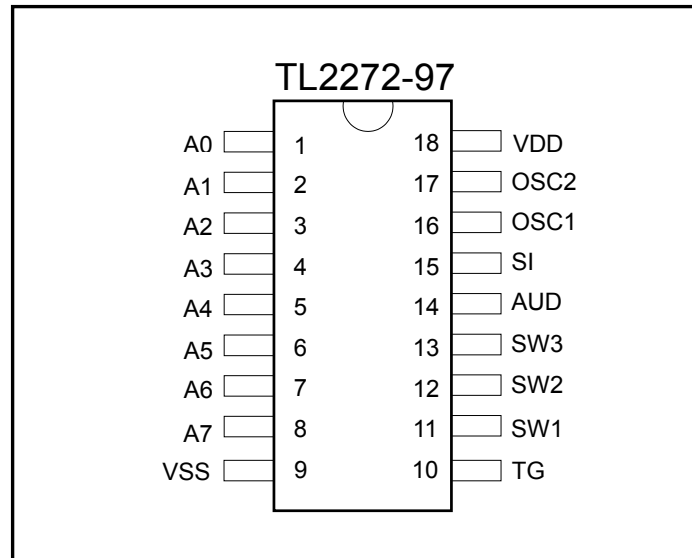
- Operating voltage: 2.4V~5.0V
- 2 channel dual tone generator
- On chip RC oscillator
- Current type D/A output
- TL2262 encoder pair with
- Provided direct key setting audio output
- Tone optional :
 1. Ding-Dong Ding-Dong
 2. Ding-Ding Ding-Ding
 3. Westminster Tunes
 4. For Alice
- 18-pin DIP package

BLOCK DIAGRAM





PIN ASSIGNMENT



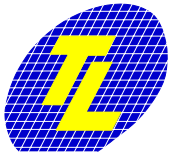
PIN DESCRIPTION

Pin No.	Pin Name	I/O	Description
1~8	A0~A7	I	Address pin
9	VSS	-	Negative power supply
10	TG	I	Trigger pin
11~13	SW1~SW3	I	Tone out setting pin
14	AUD	O	Audio output
15	SI	I	Serial data input
16	OSC1	I	Oscillator input pin
17	OSC2	O	Oscillator output pin
18	VDD	-	Positive power supply

DC CHARACTERICS

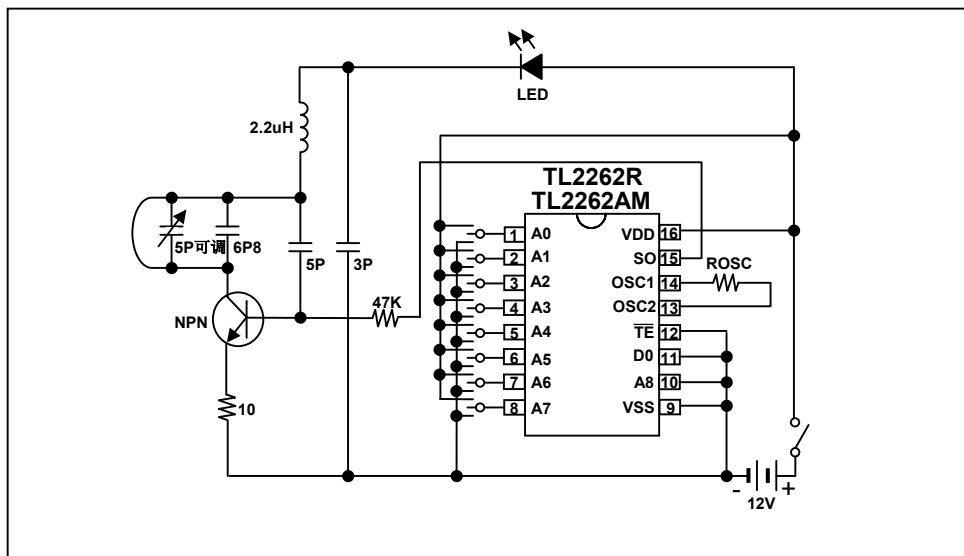
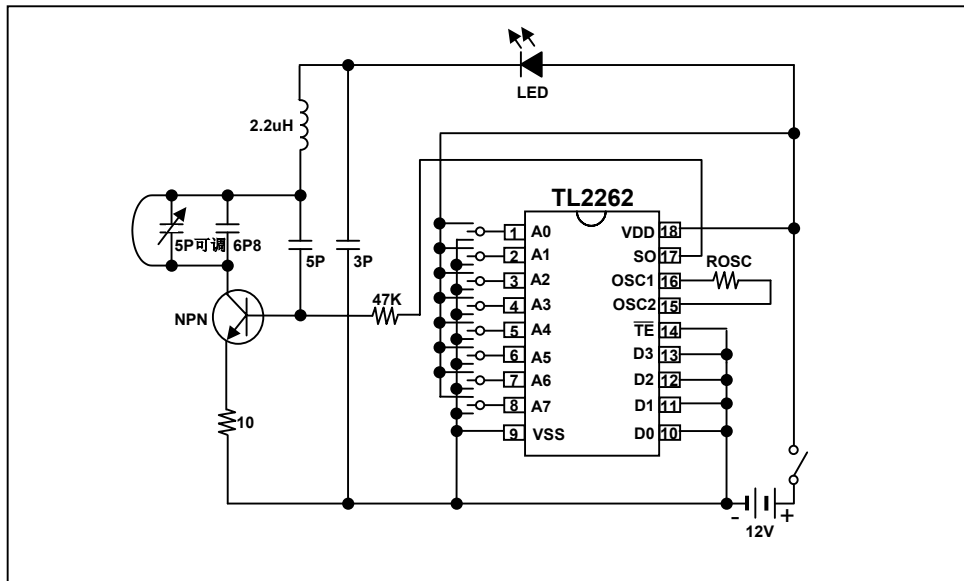
$V_{DD}=4.5V$, $F_{OSC}=80KHz$, $T_A=25^{\circ}C$ (unless otherwise noted.).

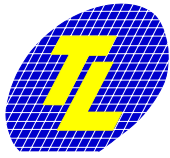
Symbol	Parameter	Min.	Typ.	Max.	Unit	Remark
V_{DD}	Operating voltage	2.4	-	5	V	
I_{STB}	Standby current	-	2	-	uA	Oscillator stop, @ $V_{DD}=4.5V$
I_{DD}	Operating current	-	0.3	1	mA	No load, @ $V_{DD}=4.5V$
I_{AUD}	AUD output current	3	5	-	mA	
V_{IH}	High input voltage	3.5	-	5	V	
V_{IL}	Low input voltage	0	-	1	V	
F_{OSC}	Oscillator frequency	-	80	-	KHz	External Rosc 270KΩ
$T_{emp.}$	Operating temperature	0	25	60	$^{\circ}C$	



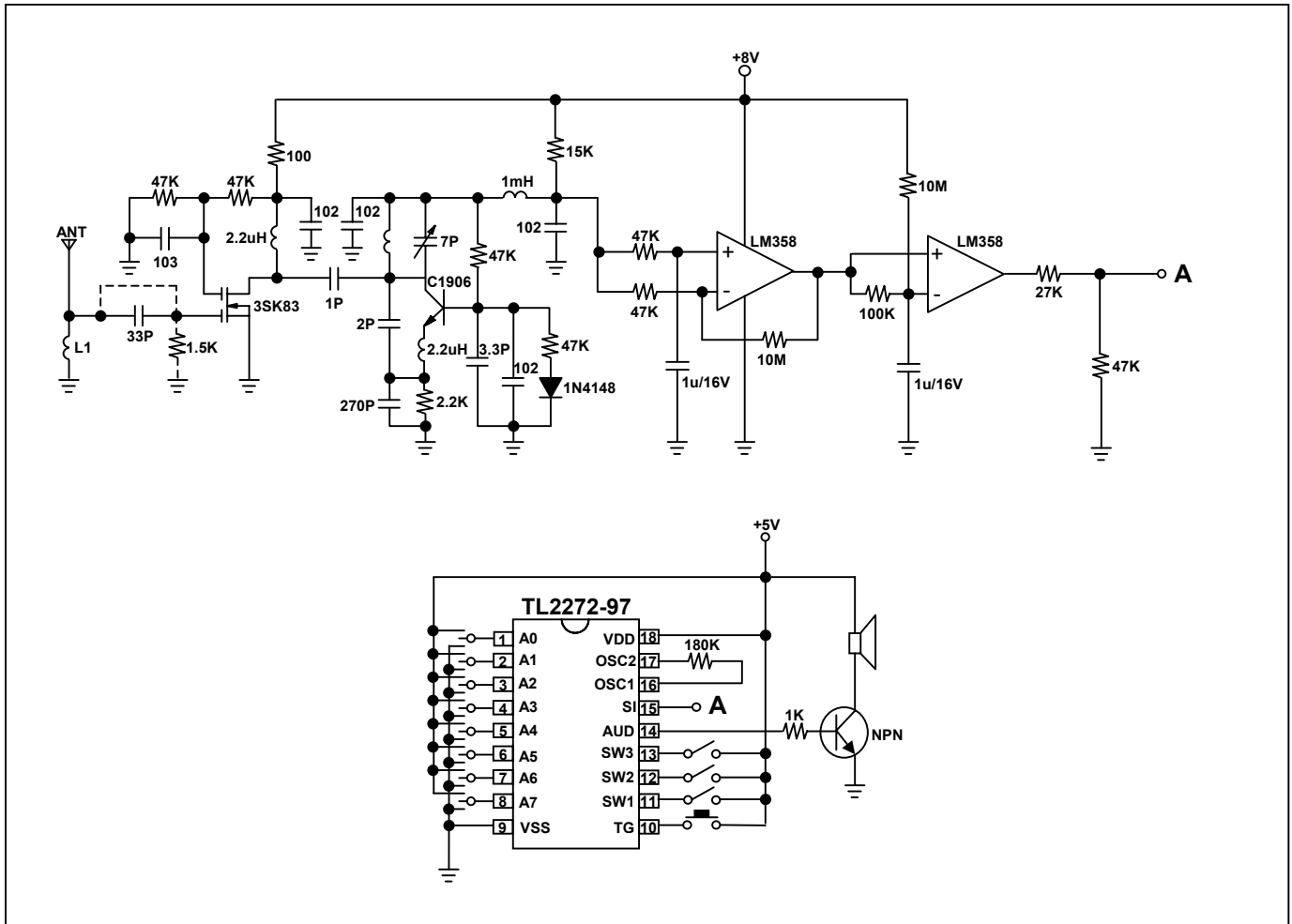
APPLICATION CIRCUIT

1. Transmitter





2. Receiver



FUNCTIONAL DESCRIPTION

The sound is determined by SW1~SW3 pins.

	SW1	SW2	SW3	SW1	SW2	SW3	SW1	SW2	SW3	SW1	SW2	SW3
	Floating	Floating	Floating	Vdd	Floating	Floating	Floating	Vdd	Floating	Floating	Floating	Vdd
TONE	Ding-Dong Ding-Dong			Ding-Ding Ding-Ding			Westminster tunes			For Alice		

* All specs and applications shown above subject to change without prior notice.
 (以上電路及規格僅供參考,本公司得逕行修正)