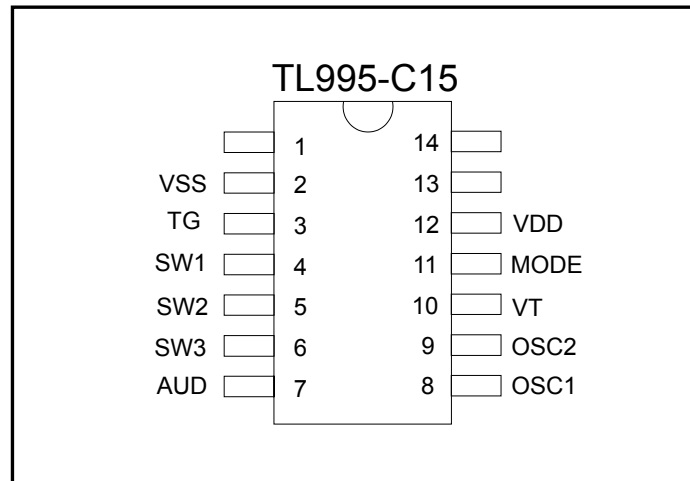


TL995-C15 Dual Tone Door Chime

FEATURES

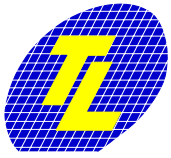
1. Operating voltage : 2.4V~5.0V
2. 2 channel dual tone generator
3. On chip RC oscillator
4. Current type D/A output
5. Provided direct key setting audio output
6. Tone optional :
 - a. Ding-Dong Ding-Dong
 - b. Ding-Ding Ding-Ding
 - c. Westminster Tunes
 - d. For Alice

PIN ASSIGNMENT



PIN DESCRIPTION

Pin No.	Pin Name	I/O	Description
2	VSS	-	Negative power supply
3	TG	I	Trigger pin
4~6	SW1~SW3	I	Tone out setting pin
7	AUD	O	Audio output
8	OSC1	I	Oscillator input pin
9	OSC2	O	Oscillator output pin
10	VT	I	Test pin
11	MODE	I	Test pin
12	VDD	-	Positive power supply



DC CHARACTERISTICS

VDD=4.5V, Fosc=80KHz, TA=25 °C (unless otherwise noted.)

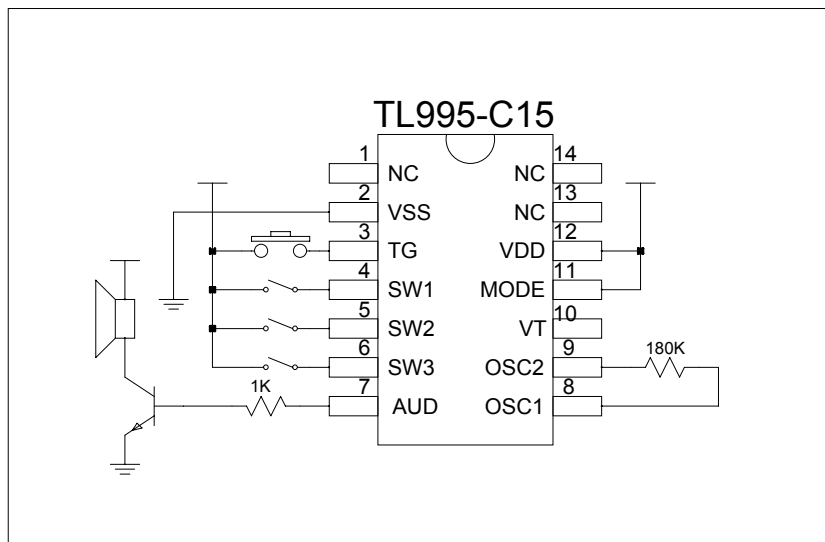
Symbol	Parameter	Min.	Typ.	Max.	Unit	Remark
V _{DD}	Operating voltage	2.4	-	5	V	
I _{STB}	Standby current	-	2	-	uA	Oscillator stop, @V _{DD} =4.5V
I _{DD}	Operating current	-	0.3	1	mA	No load , @V _{DD} =4.5V
I _{AUD}	AUD output current	3	5	-	mA	
V _{IH}	High input voltage	3.5	-	5	V	
V _{IL}	Low input voltage	0	-	1	V	
F _{OSC}	Oscillator frequency	-	80	-	KHz	External Rosc 270KΩ
T _{emp.}	Operating temperature	0	25	60	°C	

FUNCTIONAL DESCRIPTION

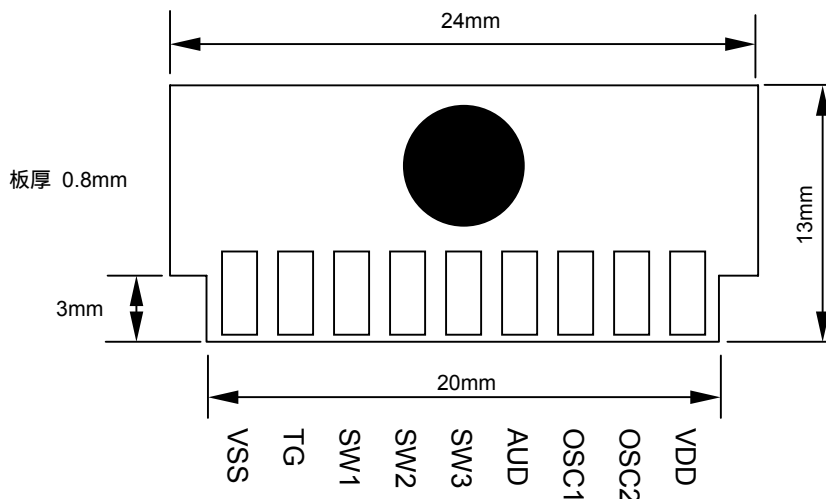
The sound is determined by SW1~SW3 pins.

	SW1=0,SW2=0,SW3=0	SW1=1,SW2=0,SW3=0	SW1=0,SW2=1,SW3=0	SW1=0,SW2=0,SW3=1
TONE	Ding-Dong Ding-Dong	Ding-Ding Ding-Ding	Westminster tunes	For Alice

APPLICATION CIRCUIT



PCB DIAGRAM



* All specs and applications shown above subject to change without prior notice.
 (以上电路及规格仅供参考, 本公司得径行修正)